

VN-Wall ATEX



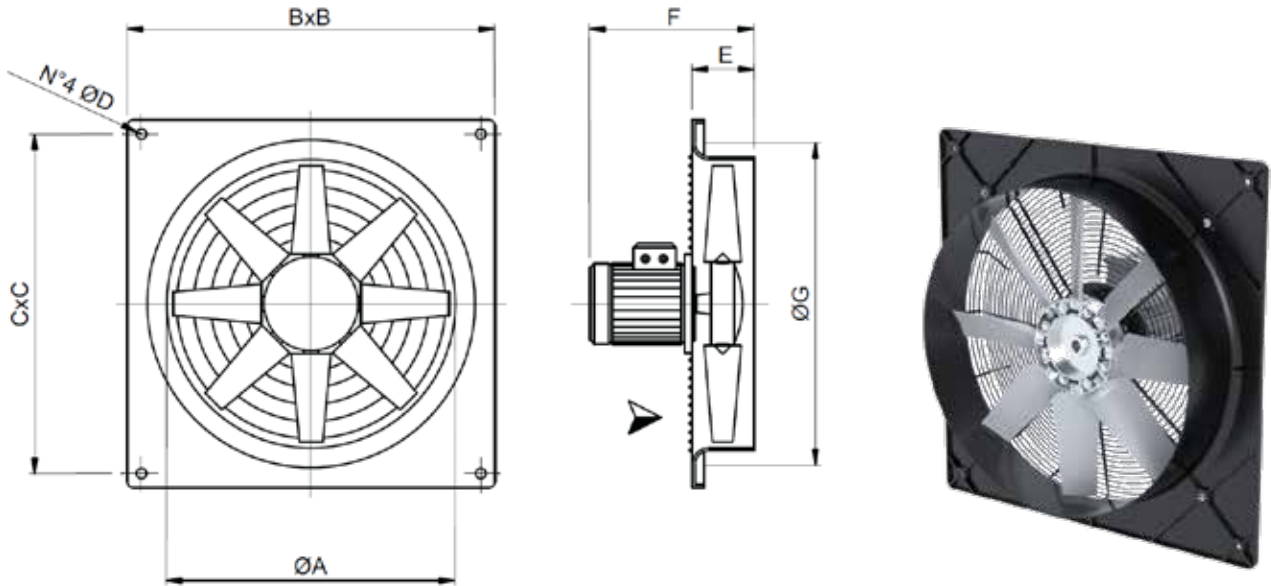
ATEX axial wall fan

The information below covers the standard range. The possibilities are extensive and besides the diameter of the impeller and speed, also the fan can be configured by different types of impellers, the angle of the impeller and the motor power .

Sizes	200 up to 710 mm
Motor	Atex motor IP55, 230/1/50 or 400/50
Capacity	up to 35.000 m ³ /h r
Pressure	up to 530 Pa static
Control	Frequency converter
Casing	Plastic / Steel coated or galvanized
Impeller	Plastic / Aluminum
Airflow	Motor → Impeller / Impeller → Motor
Extra	Motors for different voltages, frequencies and with certificates
Atex	Gas : zone 1 II2G and 2 II3G Dust on request : zone 21 II2D and 22 II3D
Accessories	Protection grid / Shutters / Spacer for mounting / Switches / Frequency converters

More information about the capacities and pressures on request

Indication dimensions VN-Wall ATEX



Model	Ø A	BxB	CxC	Ø D	E	F (*)
200	215	345	305	8,5	44	210
250	260	340	300	10	90	300
310	310	390	350	10	110	360
350	360	440	400	10	110	360
400	410	500	450	10	110	390
450	460	560	510	10	110	390
500	510	650	580	10	110	400
560	570	700	630	10	130	410
630	640	800	730	12	130	410
710	710	850	800	12	130	510

*F Ø Depends on motor type