

VN-DIC / -Forward / -AL ATEX



ATEX centrifugal fan with forward curved blades.

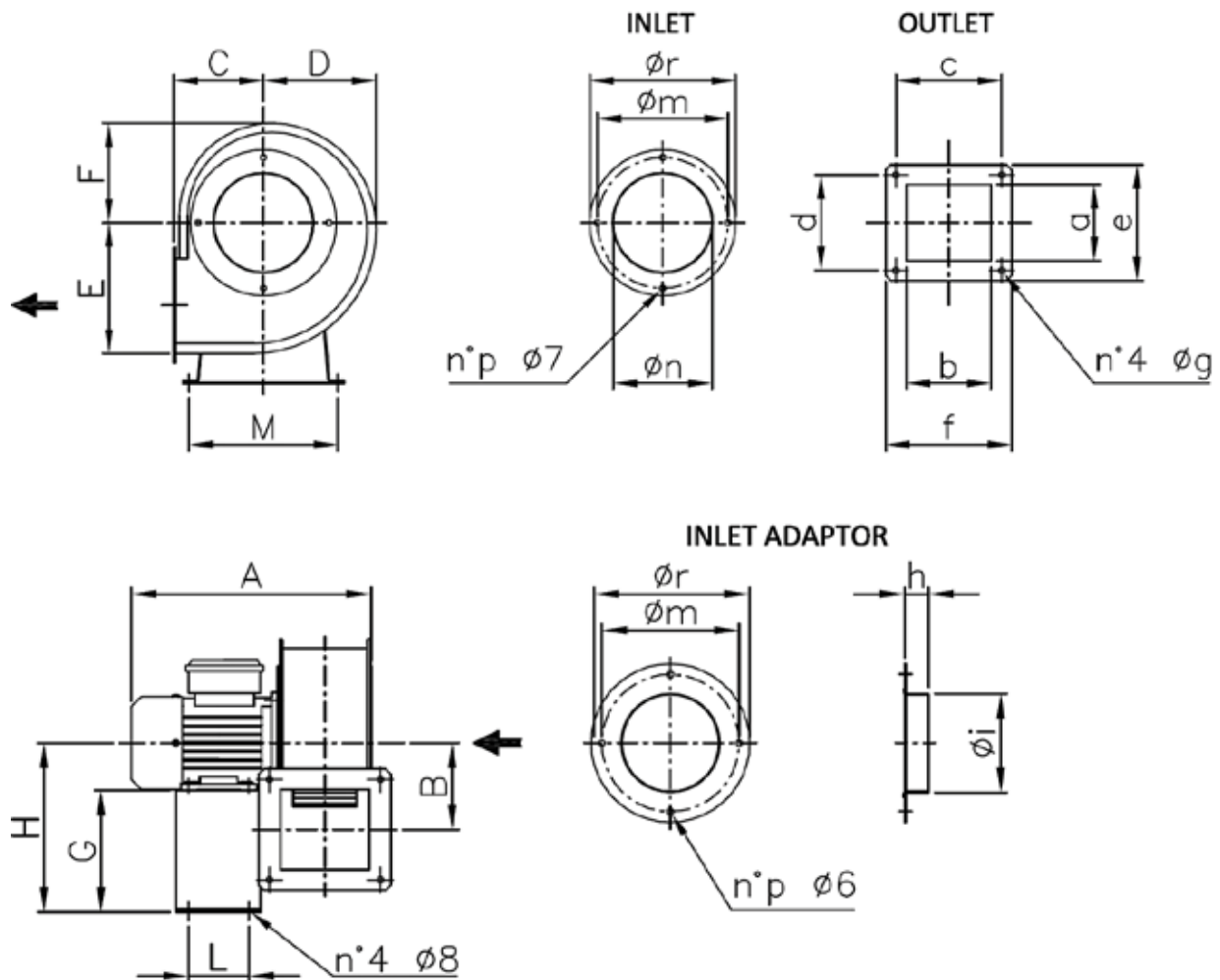
The information below covers 3 different types. The possibilities are extensive and besides the type below, there are more possibilities to achieve the required working point.



Sizes	100 up to 450 mm
Motor	Atex motor IP55, 230/1/50 or 400/50
Capacity	up to 16.000 m ³ /h
Pressure	up to 1.400 Pa
Control	Frequency converter
Casing	Steel with epoxy coating / Stainless steel 304, 316
Impeller	Steel / Stainless steel 304, 316
Extra	Motors for different voltages, frequencies and with certificates
Atex	Gas : zone 1 II2G and 2 II3G Dust : zone 21 II2D and 22 II3D
Accessories	Inspection window / Feet support / Protection grids / Flexible connections / Flanges / Anti-vibration mounts / Drain / Shutters / Switches / Sound insulated cabins / Frequency converters

More information about the capacities and pressures on request

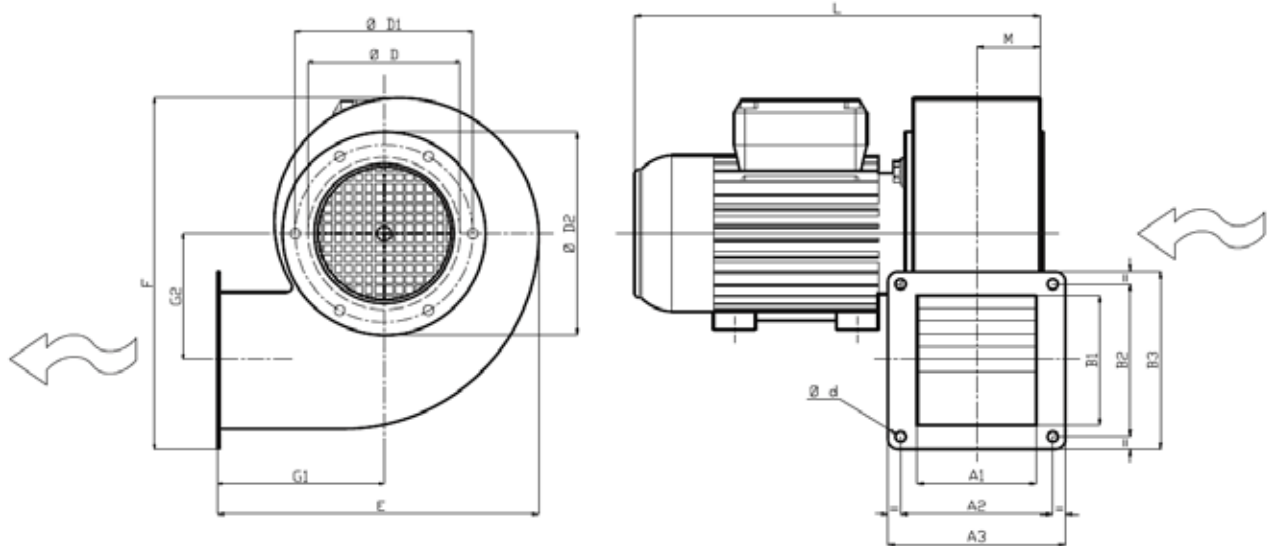
Indication dimensions VN-DIC ATEX



Model	A	B	C	D	E	F	G	H	L	M
100	220	82	86	112	130	99	120	176	71	140
120	300	97	109	137	156	116	160	223	80	185
140	350	115	126	158	184	136	152	223	90	185
160	390	132	143	175	207	148	180	260	100	230
180	400	140	156	200	227	171	180	260	100	230

Model	a	b	c	d	e	f	g	h	i	m	n	p	r
100	76	84	105	95	115	125	6	20	100	130	90	4	145
120	102	102	125	125	150	150	7	20	125	160	115	4	178
140	118	118	148	148	175	175	8	30	125	180	135	4	195
160	135	135	165	165	195	195	8	40	160	222	155	8	240
180	148	148	180	180	210	210	8	40	160	222	170	8	240

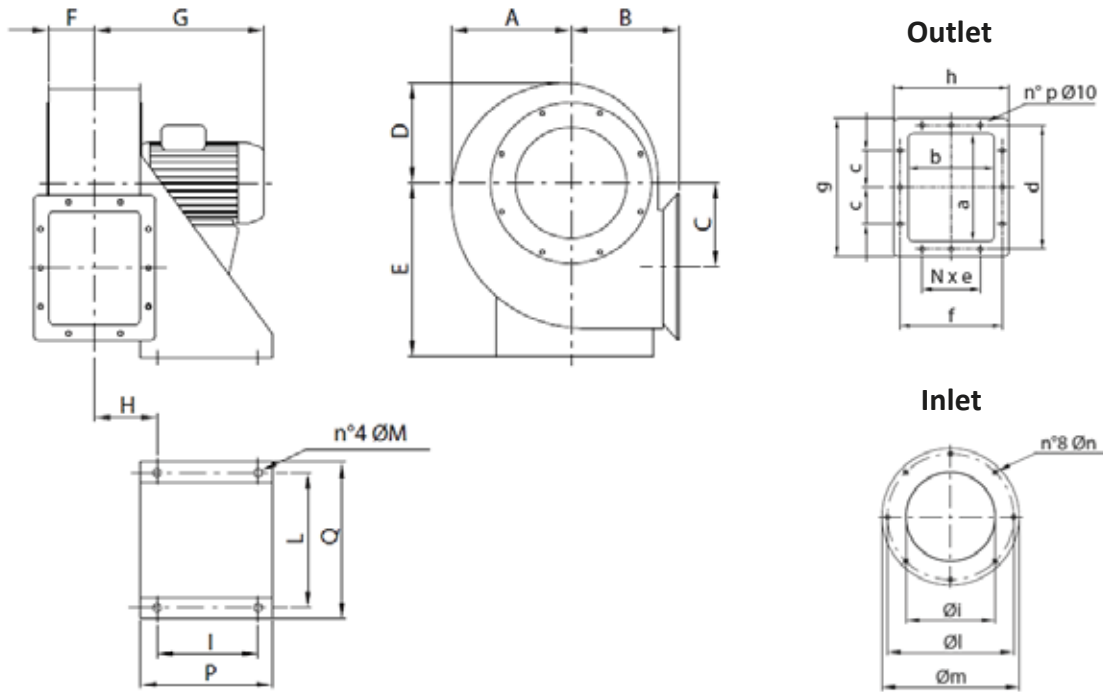
Indication dimensions VN-Forward ATEX



Model	A1	B1	A2	B2	A3	B3	$\varnothing d$	$\varnothing D$	$\varnothing D1$	$\varnothing D2$
122	80	80	96	96	115	115	8,2	119	136	150
142	90	90	112	112	130	130	8,2	129	155	170
152	108	108	137	137	160	160	8,2	150	175	190
162	108	108	137	137	160	160	8,2	150	175	190
182	118	118	147	147	170	170	8,2	169	200	215

Model	E	F	G1	G2	L	M
122	205	238	93	84	278	43
142	219	252	109	92	344	48
152	252	290	129	98	362	57
162	252	290	129	98	362	57
182	288	334	142	118	386	63

Indication dimensions VN-AL ATEX



Model	A	B	C	D	E	F	G	H	I	L	M	P	Q
AL 200	183	173	120	156	280	70	340	100	140	218	12	200	259
AL 225	210	190	142	175	310	80	380	110	140	218	12	200	284
AL 250	231	207	162	193	335	90	440	120	205	270	12	265	314
AL 280	257	227	170	216	365	100	420	130	205	270	12	265	334
AL 315	288	250	192	244	405	110	460	140	205	319	12	265	381
AL 355	321	272	212	270	445	123	490	153	245	354	15	305	421
AL 400	358	300	235	301	505	138	600	168	245	370	15	305	471
AL 450	406	334	267	337	560	153	590	183	340	439	15	400	516

Model	a	b	c	d	Nxe	f	g	h	i	l	m	n	p
AL 200	180	135	75	213	1x100	168	240	195	166	235	255	M6	10
AL 225	200	155	75	233	1x100	188	260	215	189	260	280	M6	10
AL 250	220	175	75	253	1x100	208	280	235	212	290	310	M6	10
AL 280	260	195	100	293	1x125	228	320	255	242	310	340	M8	10
AL 315	300	215	100	333	1x150	248	360	275	277	335	375	M8	10
AL 355	340	240	125	373	2x100	273	400	300	304	395	425	M8	12
AL 400	385	270	125	425	2x100	310	465	350	354	445	465	M8	12
AL 450	430	300	150	470	2x100	340	510	380	404	490	520	M8	12